

# SMART GRIP

## USER MANUAL



3

4

5

6

7

8

8

8

7

6

8

7

6

2

4

# Contents

Introduction.....	3
What's in the Box.....	4
How the External Plugs work.....	5
Fitting the External Plugs .....	6
Beavertail .....	6
Thumb Rest .....	6
Front Plug .....	7
Center Plug.....	8
All other plugs.....	9
Electronic Adapters.....	10
Electronic Adapter for Steyr LP10 EVO .....	10
Electronic Adapter for Morini CM200 el.....	10
Internal Pistol Type Adapters .....	11
Steyr and Snowpeak pistols.....	11
Morini CM200 el / CM162 mi / Matchgun MG1 .....	12
Tesro (all) / Walther LP300 LP300XT .....	13
Walther LP500 LP400 .....	13
Feinwerkbau P8X / P11 / P85.....	14
Feinwerkbau P35 / P40 /P44 .....	14
Pardini (all) .....	15
Weights .....	15

# Introduction

For those well-versed in Olympic Air pistol shooting, the quest for the perfect harmony between hand, grip, and sight alignment is a familiar pursuit. The objective is to attain a consistent, repeatable grip, one that effortlessly aligns the sights with the target.

While the universal importance of this is widely acknowledged, the mechanics of achieving the precise adjustment often remain a mystery to many shooters. Not everyone is fortunate enough to have access to experienced coaches who can provide guidance, and as a result, numerous individuals embark on the journey of crafting and modifying their grips without the necessary understanding, often leading to less-than-ideal results.

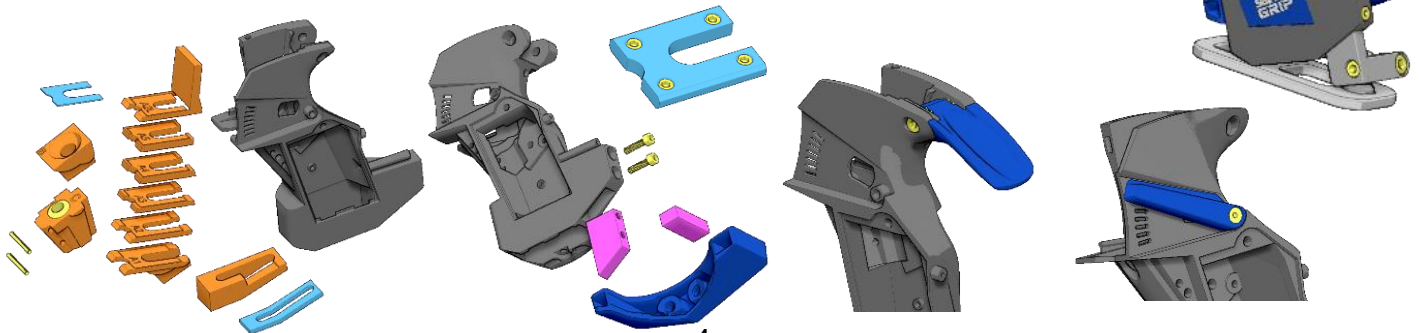
SMARTGRIP introduces a revolutionary solution to fine-tune the critical dimensions of your grip. This is made possible using six external interchangeable plugs, each available in three distinct sizes. This innovative approach enables both novice and experienced shooters to experiment with these plugs, fine tuning these critical grip dimensions. By simply swapping the three available sizes per plug, even those new to the sport can progressively discover the ideal grip that suits them perfectly.

In addition, the adjustable Beavertail and thumb rest provide further options for customization, while striving towards the perfect grip fit. And two removable weights invite you to experiment with the balance of your pistol to find what works best for you.

Unlock your true scoring potential with the help of SMARTGRIP!

# What's in the Box

- The main SMARTGRIP grip module, with side cover mounted and screws placed
- The “Color Parts” Bag: A Ziplock Bag containing all external color parts:
  - The 3 main plugs: the Front, Back and Top plugs, each in +,0,- sizes
  - 3 additional sizing plugs in +,0,- sizes for grip fitment and comfort
  - The adjustable Thumb Rest, Beavertail and Support.
- The “Adapter Parts” Bag: A Ziplock bag container all adapters and screws for pistol fitment:
  - Multiple plastic inserts to adapt for various pistol brands and models
  - An assortment of screws to ensure you have the one you need for every model
  - A steel tilt plate which may be used with some gun types
  - A lower wedge and steel angled plate for the screw head mounting point
  - The Electronic trigger mounting piece
  - Two steel weights
- A Bench Rest Mount is available and sold separately.



# How the External Plugs work

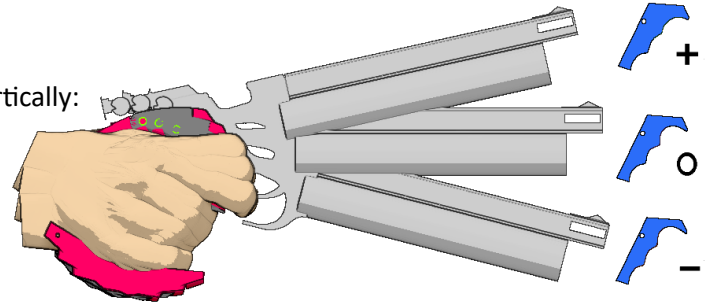
The three main plugs are the Front Plug, the Back Plug and the Top Plug. These three play a crucial role in adjusting your pistol's natural point of aim – allowing you to achieve that all-important sight alignment while maintaining your wrist in the most relaxed and natural position possible.

The Front Finger Plug moves the front sight up and down vertically:

The **0** plug provides the middle position.

The **+** plug moves the front sight up.

The **-** plug moves the front sight down.

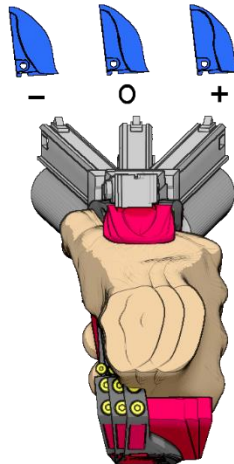


The Back Plug moves your natural point of aim horizontally:

The **0** plug provides the middle position.

The **+** plug moves the front sight to the right.

The **-** Plug move the front sight to the left.

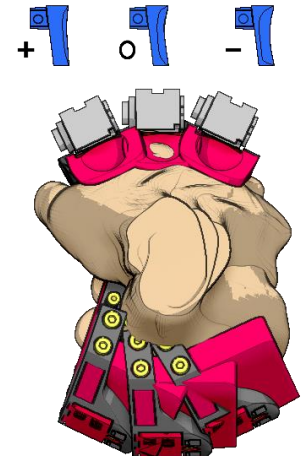


The Top Plug tilts the grip, so that you can achieve a level sight picture in your natural hand position:

The **0** plug provides the middle position.

The **+** plug tilts the grip to the left.

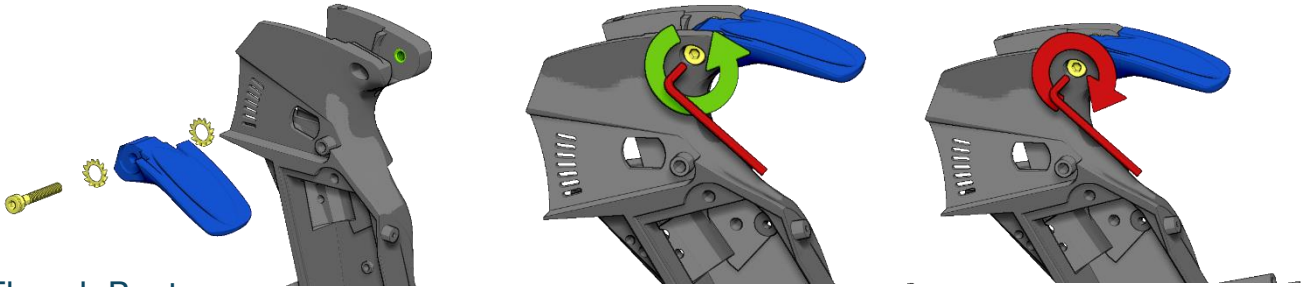
The **-** plug tilt the grip to right.



# Fitting the External Plugs

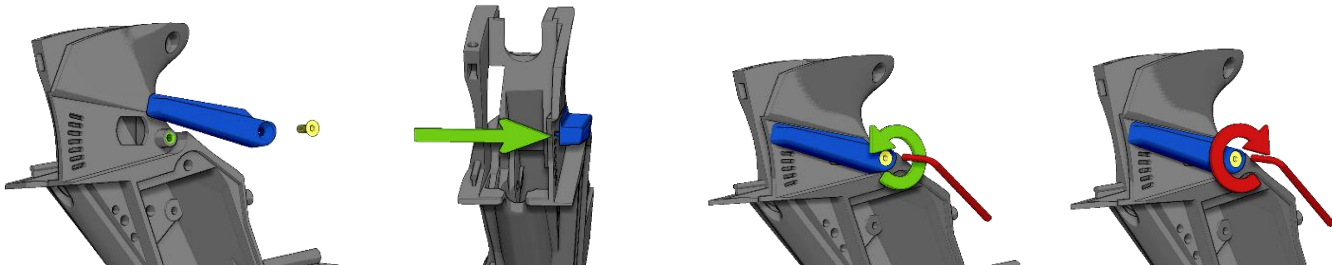
## Beavertail

Use the Grip mounted screw and serrated washers to assemble your Beavertail as shown. Tighten the screw clockwise to lock the Beavertail in position, counter clockwise to loosen and adjust.



## Thumb Rest

To adjust the angle of the Thumb Rest, loosen the M3 screw several turns, ensure the front tooth is removed from the slot it was in, reposition it higher or lower, and then retighten the M3 screw.

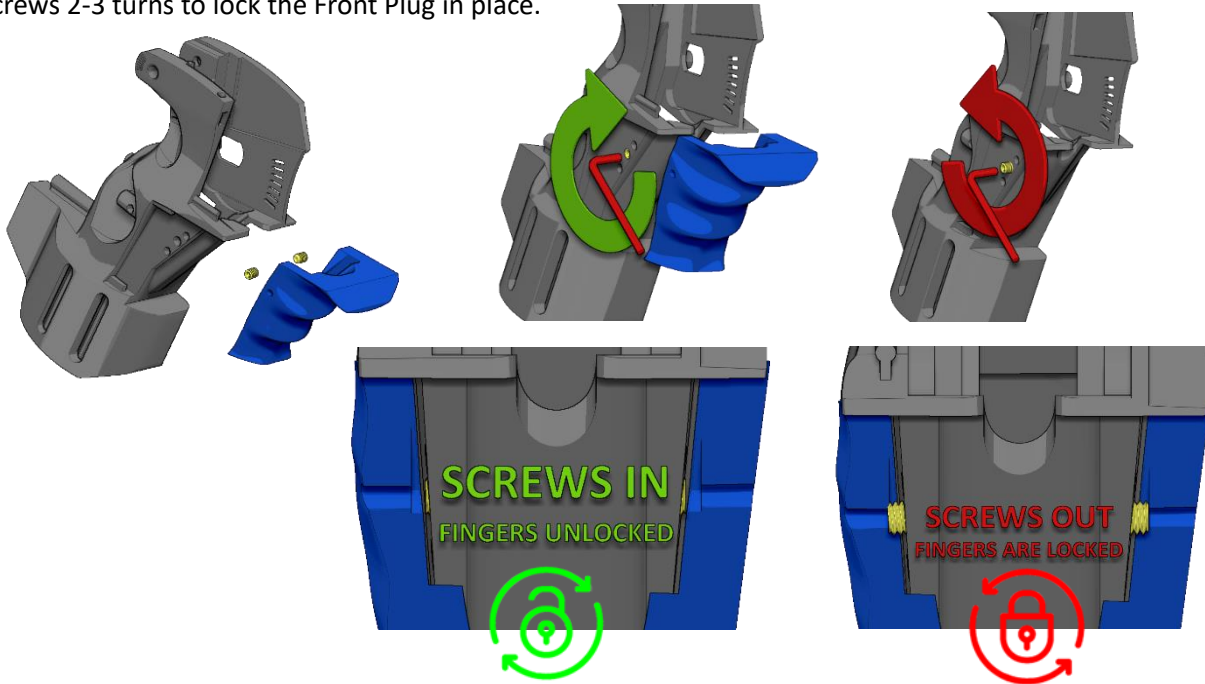


## Front Plug

**Please note:** The Front Plug is secured in place by **opening** the set screws 2-3 turns once the Front Plug is placed.

To install the Front Plug:

1. Ensure the set screws are turned all the way in – not protruding at all (as shipped).
2. Mount your chosen Front Plug onto the frame, press it into position.
3. Using the provided 2mm Allen key, reach through the small holes and Open (turn counter clockwise) the set screws 2-3 turns to lock the Front Plug in place.

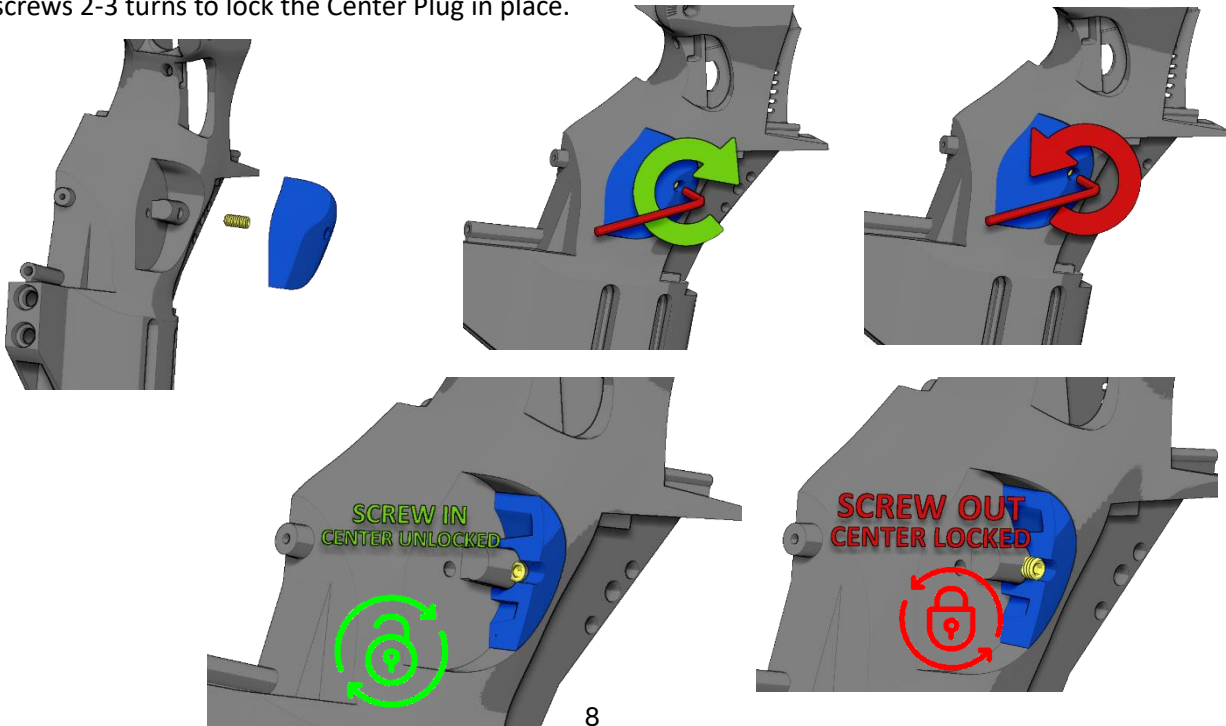


## Center Plug

**Please note:** The Center Plug is secured in place by **opening** the set screw 2-3 turns once the Center Plug is placed.

To install the Center Plug:

1. Ensure the set screw is turned all the way in – not protruding at all (as shipped).
2. Mount your chosen Center Plug onto the frame, press it into position.
3. Using the provided 2mm Allen key, reach through the small hole and Open (turn counter clockwise) the set screws 2-3 turns to lock the Center Plug in place.

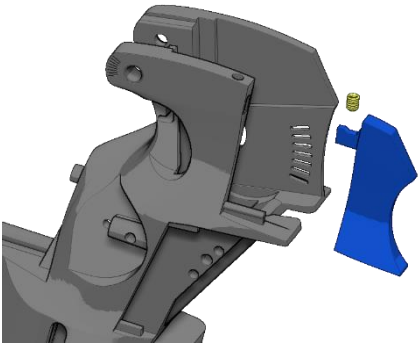




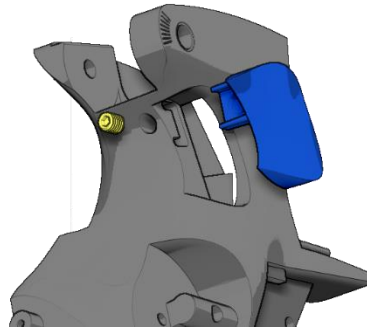
## All other plugs

All the other External plugs on the SMARTGRIP are held in place by tightening their respective mounting screws (clockwise). Loosen the screw (counter clockwise) to remove the Plug, as shown in the images below:

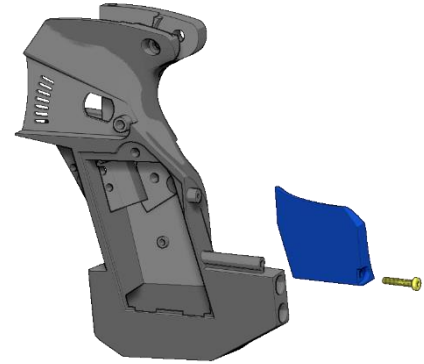
**Index Plug**



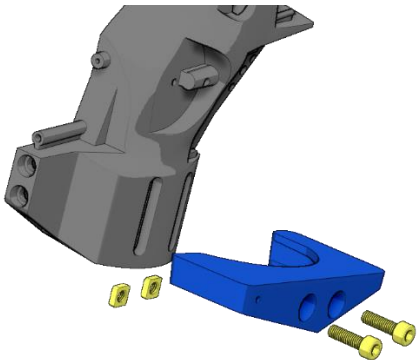
**Top Plug**



**Back Plug**



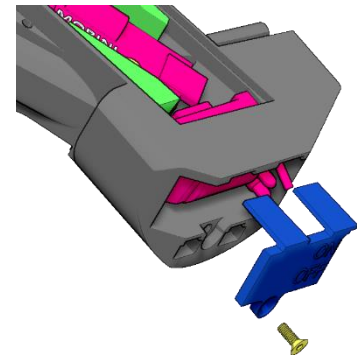
**Support**



**Side cover**

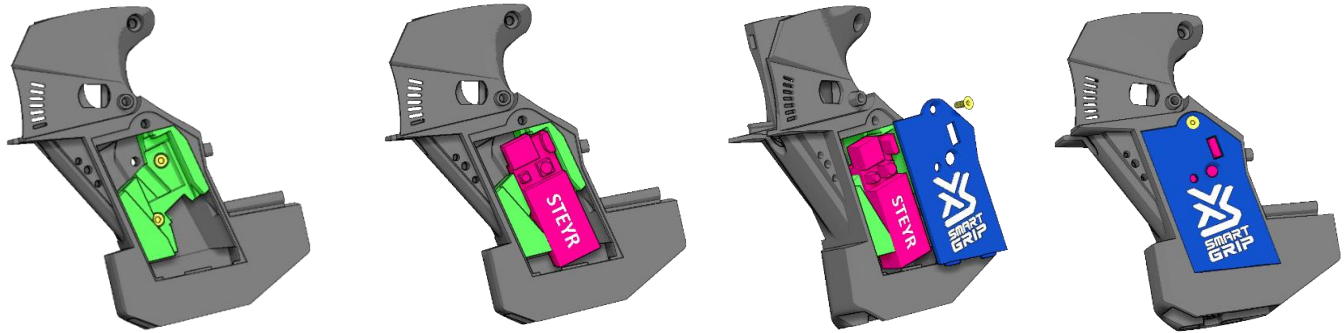


**Bottom cover**

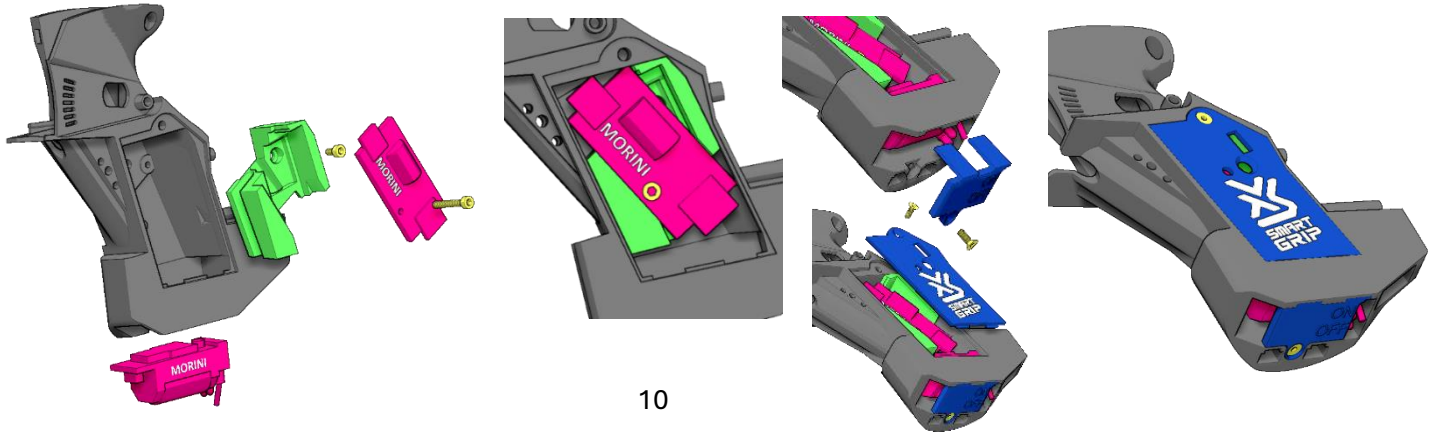


# Electronic Adapters

## Electronic Adapter for Steyr LP10 EVO



## Electronic Adapter for Morini CM200 el



# Internal Pistol Adapters

SMARTGRIP includes adapters for most of the popular Air pistols in use today. Below are sketches and instructions explaining which adapter parts are to be used for each pistol model.

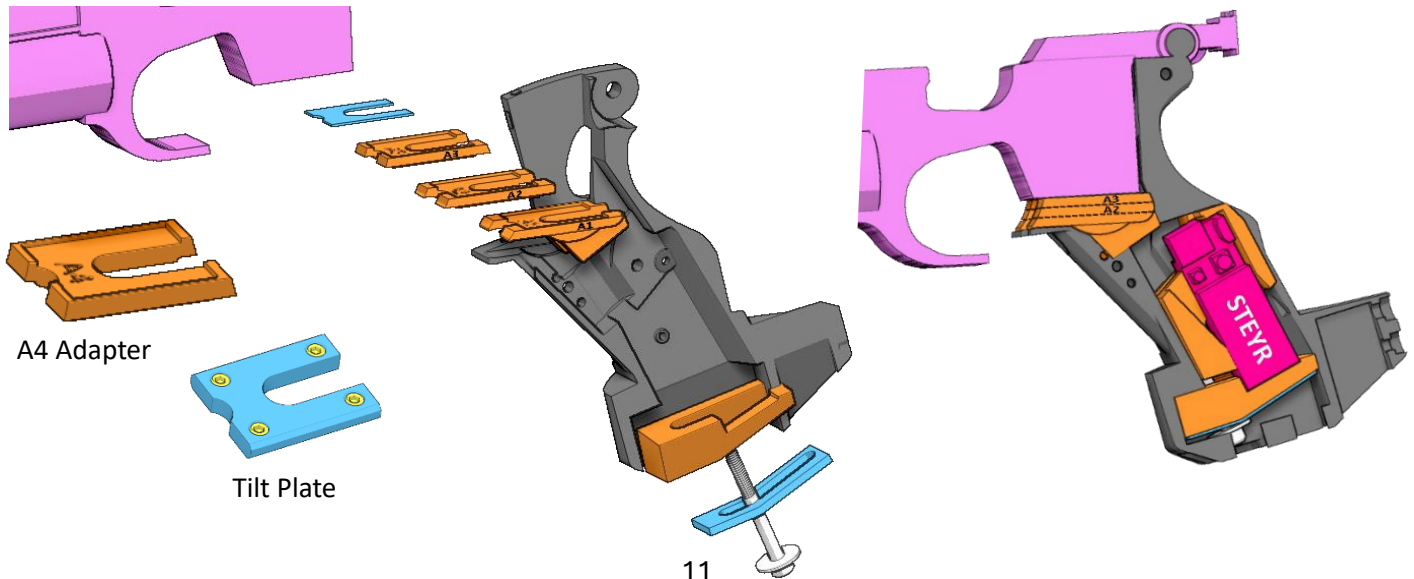
## Steyr and Snowpeak pistols

For all Steyr pistol you will stack adapters A1 + A2 + A3 + 1mm metal plate.

For Electronic triggers, use an M5x50 screw, 8mm washer and the Electronic Adapter.

You can also add the A4 adapter to elevate the pistol higher in case the back sight is touching the grip.

You may also consider using the included Steel Tilt plate for additional fine tuning.

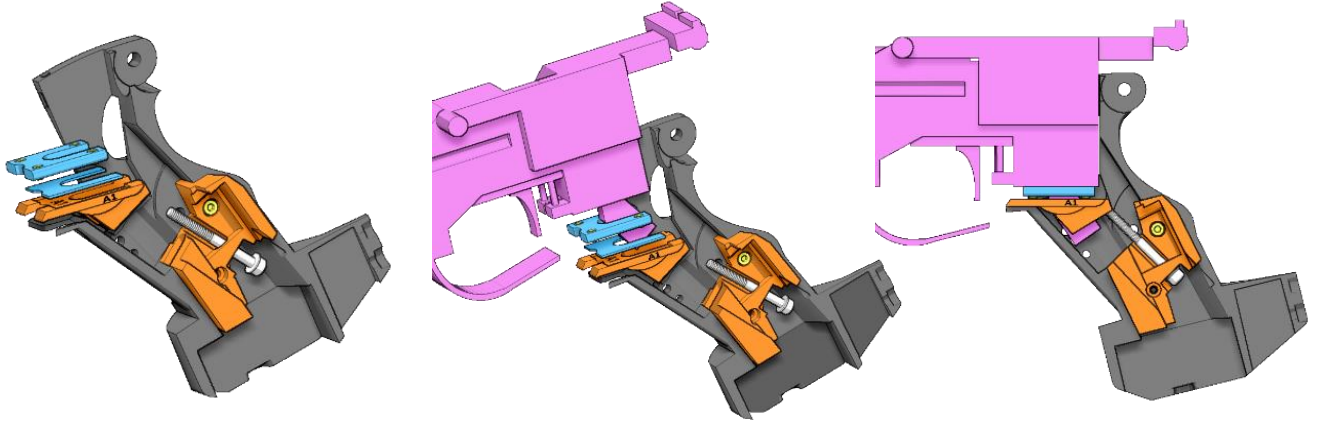


## Morini CM200 el / CM162 mi / Matchgun MG1

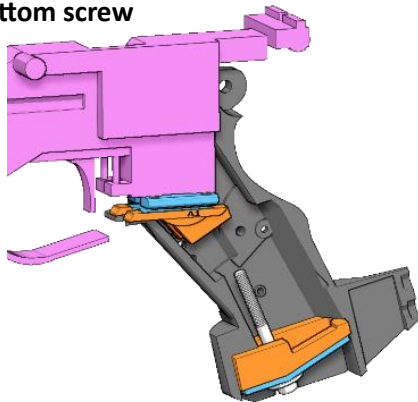
To attach these pistols, you will use:

The Adapter A1, the 1mm metal plate and the original screw or an M4x50 screw if the optional Tilt Plate is used.

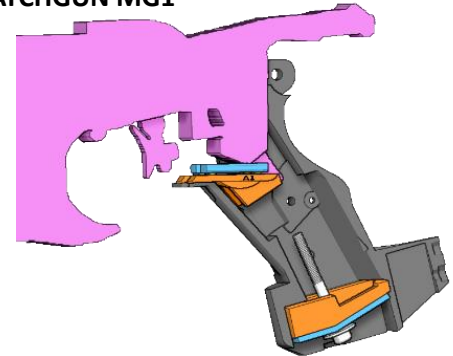
### CM200 el



### CM162 mi with bottom screw



### MATCHGUN MG1



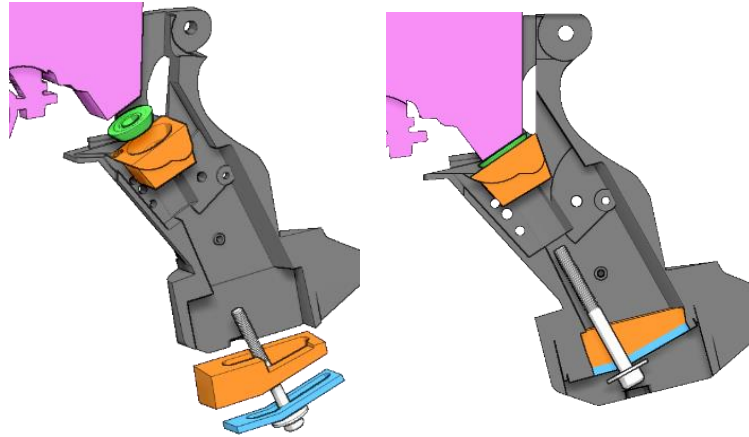
## Tesro (all) / Walther LP300 LP300XT

For these pistols use Adapter B, an M5x60 screw and the original concaved part from the pistol.

Adapter B



Original part



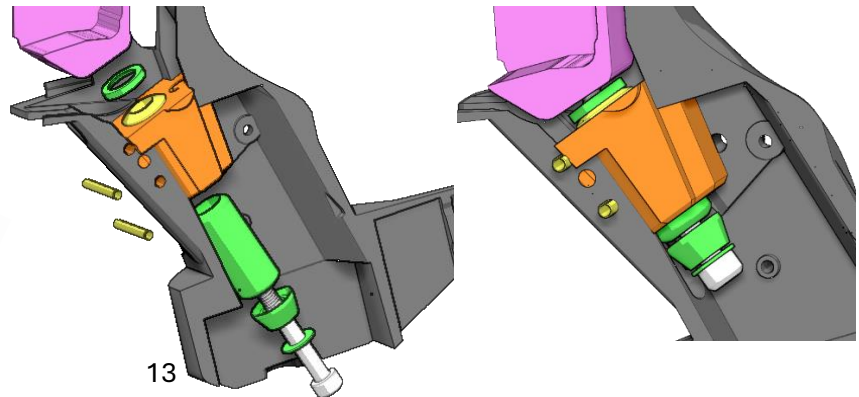
## Walther LP500 LP400

For these pistols use adapter C and the two 3mm pins to secure it into the frame. An M5x45 screw and some original parts from the pistol, as shown:

Adapter C

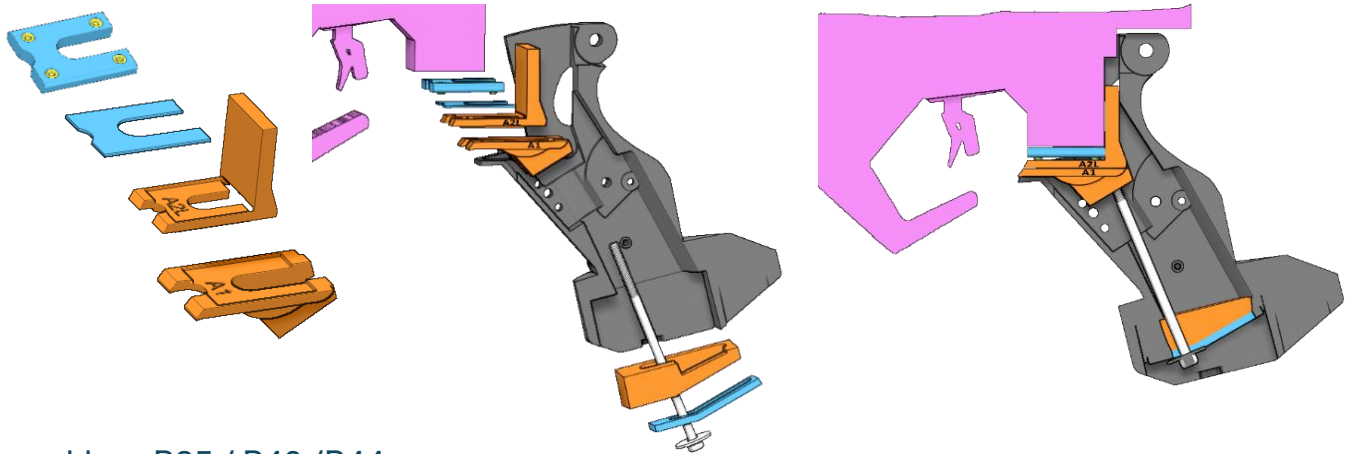


Original part



## Feinwerkbau P8X / P11 / P85

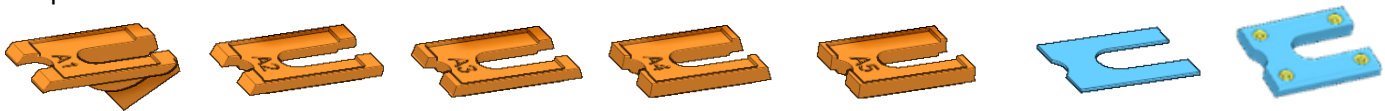
For these pistols use Adapter A1 + A2I + 1mm metal plate. An M4x90 screw and the optional Tilt Plate.



## Feinwerkbau P35 / P40 / P44

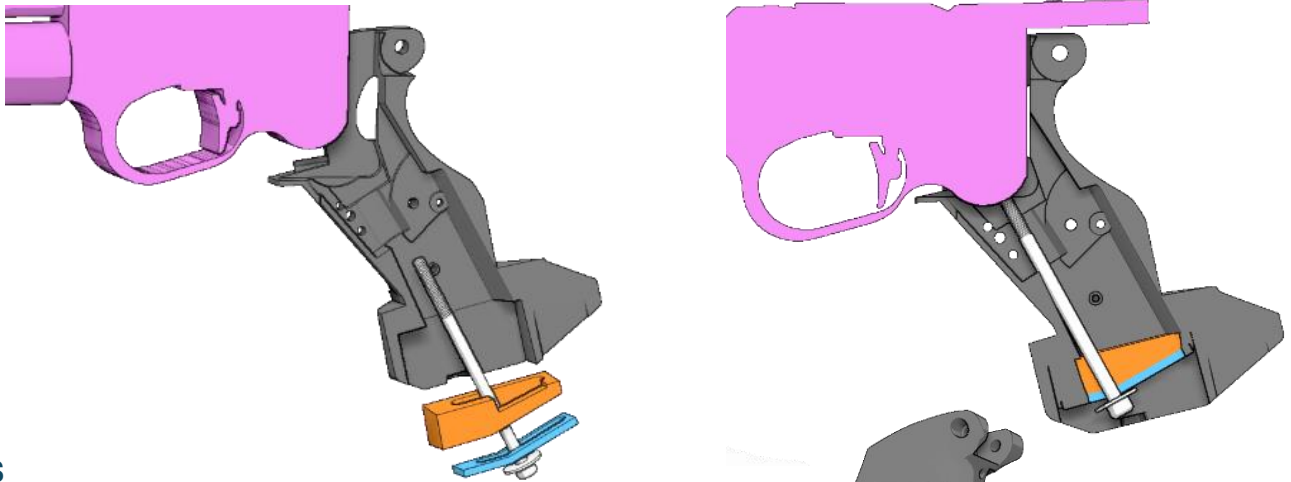
For this pistol use A1 + A2 + A3 + A4 + 1 mm metal plate and the optional Tilt Plate.

For these models you start with adapter A1 A2 A3 and you add adapters until the pistol's back sight clears the Beaver Tail. Then choose the correct length of screw as needed. The 1mm metal plate is always placed on top of the last A adapter.



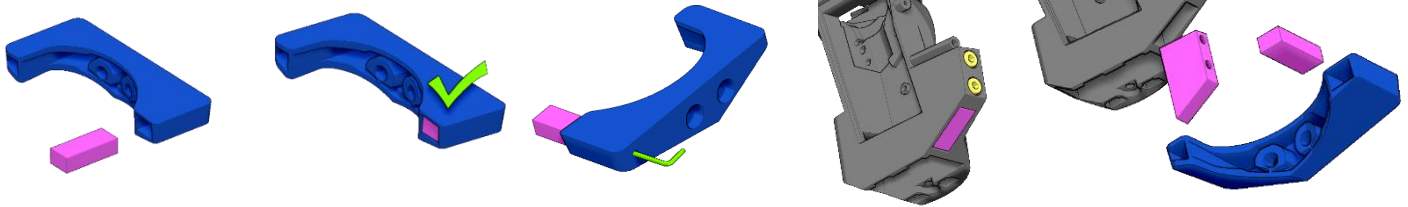
## Pardini (all)

For these pistols you don't need any adapter at all. Simply insert the pistol into the grip and use an M5x90 screw with washer, utilizing the lower plastic wedge and steel plate as shown below.



## Weights

Two weights are included with your SMARTGRIP, and these can be installed into their dedicated compartments in the grip. One in the back and one in the support, as shown in these images.



## WARNINGS

- Always make sure your pistol is unloaded and safe before adjusting or fitting your grip.
- Never use excessive force to tighten the screws.
- Always use the 1mm steel plate above the last A adapter.
- Always use a washer under the main screw head.
- Remember: with Front and Center Plugs, tighten screw to release, and open screw to secure part.
- When in doubt – contact us for advice.

[www.smartgrip.info](http://www.smartgrip.info)

[www.doublealpha.biz](http://www.doublealpha.biz)

**Double-Alpha Academy B.V.**

Elzenweg 33b

5144MB Waalwijk, Netherlands

Tel: +31 416 660 464

Email: [daa@doublealpha.biz](mailto:daa@doublealpha.biz)

SMARTGRIP complies with  
ISSF Pistol Rules Book 2023  
Approved Version 21.01.2024



**Socrates Ioannidis**  
SmartGrip inventor